



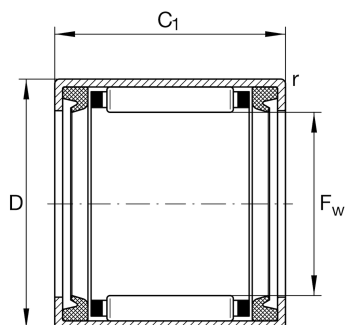
HK5024-2RS

Drawn cup needle roller bearing open end

Schaeffler ID:
0002452400968

Drawn cup needle roller bearings with open ends HK..-2RS, lip seals on both sides, to DIN 618

Technical information



Main Dimensions & Performance Data

F_w	50 mm	Under roller diameter
D	58 mm	Outside diameter
C	24 mm	Width
C_r	31,000 N	Basic dynamic load rating, radial
C_{0r}	63,000 N	Basic static load rating, radial
C_{ur}	8,400 N	Fatigue load limit, radial
n_G	3,150 1/min	Limiting speed
$n_{G \text{ Grease}}$	3,150 1/min	Limiting speed for grease lubrication
	81.305 g	Weight

Dimensions

C_1	24 mm	Width, outer ring
r_{\min}	0.8 mm	Minimum chamfer dimension
	IR45X50X25-XL	Suitable inner rings IR

Temperature range

T_{\min}	-20 °C	Operating temperature min.
T_{\max}	100 °C	Operating temperature max.